

NA6910-ZW-XL

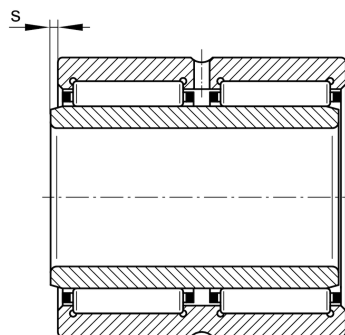
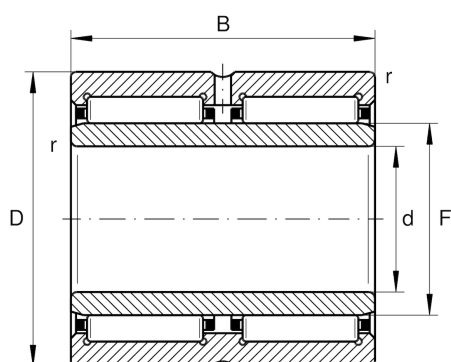
Needle roller bearing

Schaeffler ID:
0507442240000

Needle roller bearings NA69...ZW,
Dimension series 69, double row

X-life

Technical information



Main Dimensions & Performance Data

d	50 mm	Bore diameter
D	72 mm	Outside diameter
B	40 mm	Width
C_r	82,000 N	Basic dynamic load rating, radial
C_{0r}	139,000 N	Basic static load rating, radial
C_{ur}	23,800 N	Fatigue load limit, radial
n_G	7,800 1/min	Limiting speed
n_{gr}	4,200 1/min	Reference speed
	0.514 kg	Weight

Dimensions

F	58 mm	Raceway diameter inner ring
r_{min}	0.6 mm	Minimum chamfer dimension
s	0.5 mm	Axial displacement

Temperature range

T_{min}	-30 °C	Operating temperature min.
T_{max}	120 °C	Operating temperature max.